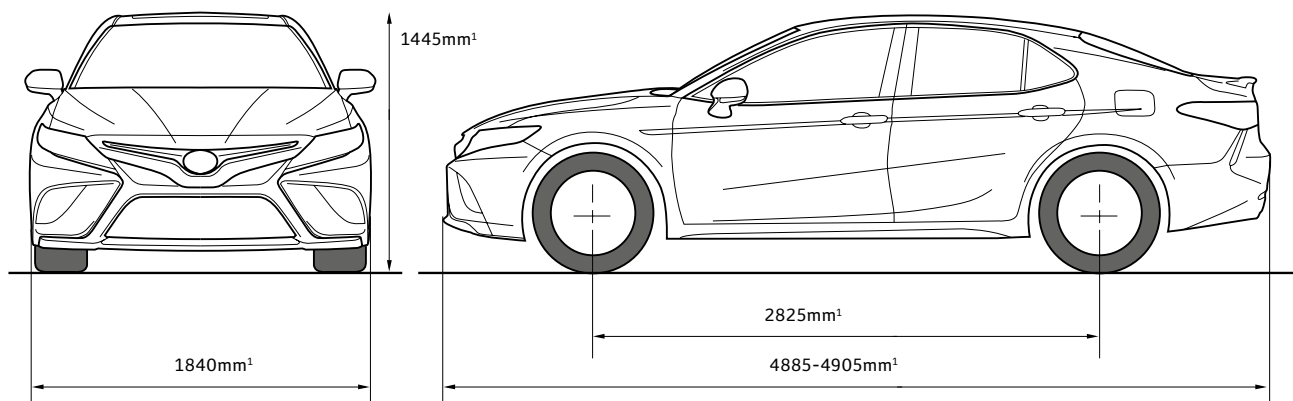


TOYOTA

Camry



MECHANICAL SPECIFICATIONS		4-CYLINDER PETROL				V6 PETROL		HYBRID		
		Ascent	Ascent Sport	SX	SL	SX	SL	Ascent	Ascent Sport	SL
Engine	Engine description	2.5L Dual VVT-i 4-cylinder petrol engine				3.5L Dual VVT-i V6 petrol engine		2.5L Dual VVT-i petrol engine with Toyota Hybrid System		
	Engine code	2AR-FE				2GR-FKS		A25A-FXS		
	Max power ² (kW@rpm)/ Max torque ² (Nm@rpm)	133 @ 6000 / 231 @ 4100	135 @ 6000 / 235 @ 4100		224 @ 6600 / 362 @ 4700		131 @ 5700 / 221 @ 3600-5200			
	Combined maximum power output ²	-						160kW		
	Bore x stroke	90.0 x 98.0mm				94.0 x 83.0mm		87.5 x 103.5mm		
	Compression ratio	10.4:1				11.8:1		14.0:1		
Fuel	Fuel type octane no. (Minimum recommended)	91 or higher				95 or higher				
	Fuel economy ³ (L/100km)	7.8		8.3		8.9	8.7	4.2		4.5
	Emissions ⁴ – combined CO ₂ (g/km)	181		194		202	197	96		103
Transmission	Transmission	6-speed automatic transmission with sequential shift				8-speed automatic transmission with sequential shift		Electronic Continuously Variable Transmission (e-CVT)		
	Sports paddle shift			•	•	•	•			•
Steering	Manual tilt and reach steering wheel adjustment	•	•	•		•		•	•	
	Power tilt and telescopic steering wheel adjustment				•		•			•
	Electric Power Steering	•	•	•	•	•	•	•	•	•
Brakes	Front ventilated disc and rear solid disc	•	•	•	•	•	•	•	•	•
	Electronic Park Brake	•	•	•	•	•	•	•	•	•
	Regenerative braking system							•	•	•
Suspension	MacPherson strut type front suspension	•	•	•	•	•	•	•	•	•
	Double wishbone rear suspension system	•	•	•	•	•	•	•	•	•
	Sports suspension			•		•				

MECHANICAL SPECIFICATIONS		ASCENT		ASCENT SPORT		SX		SL		
		Ascent Petrol	Ascent Hybrid	Ascent Sport Petrol	Ascent Sport Hybrid	SX 4-cyl	SX V6	SL 4-cyl	SL V6	SL Hybrid
Weights and Capacities (Approximate)	Vehicle kerb weight (kg) ¹	1495	1635	1560	1635	1555	1620	1560	1630	1635
	Gross vehicle weight (kg) ¹	2030	2100	2030	2100	2030	2100	2030	2100	2100
	Luggage capacity (L)	493	524	524	524	524	524	524	524	524
	Fuel tank capacity (L)	60	50	60	50	60	60	60	60	50
Wheels	Design and size	17" alloy	17" alloy	17" alloy	17" alloy	19" alloy	19" alloy	18" alloy	18" alloy	18" alloy
	Spare wheel	Full size spare wheel	Temporary	Temporary	Temporary	Temporary	Temporary	Temporary	Temporary	Temporary
	Spare wheel tyre size	T15/55R17	T155/70D17	T155/70D17	T155/70D17	T155/70D17	T155/70D17	T155/70D17	T155/70D17	T155/70D17
Exterior	Dual exhaust with diffuser			•		•	•	•	•	
	Electrically adjustable rear view mirrors with side indicators	•	•	•	•	•	•	•	•	•
	Sports front grille			Matte	Matte	High Gloss	High Gloss	High Gloss	High Gloss	High Gloss
	Rear luggage spoiler					•	•	•	•	•
	LED Daytime Running Lamps	•	•	•	•	•	•	•	•	•
	Panoramic full glass roof					Optional	Optional	•	•	
	Electric tilt and slide moonroof									•
	Front and rear auto power operated windows	•	•	•	•	•	•	•	•	•
Rain-sensing wipers							•	•	•	
Interior	Premium steering wheel			•	•	•	•	•	•	•
	Seat ventilation for driver and front passenger							•	•	•
	Leather accented seats					Sports leather accented	Sports leather accented	•	•	•
	Stainless steel scuff plates			•	•	•	•	•	•	•
	Intelligent ambient illumination - console and foot well							•	•	•
	Driver's seat power adjustable lumbar support	•	•	•	•	•	•	•	•	•
	6-way manual driver's seat adjustment	•	•							
	8-way power adjustable driver's seat			•	•	•	•	Driver and passenger seat	Driver and passenger seat	Driver and passenger seat
	Driver's seat memory function							•	•	•
	60/40 split fold rear seats	•	•	•	•	•	•	•	•	•
Folding rear seat centre armrest	•	•	•	•	•	•	•	•	•	
Instruments and Controls	4.2" Multi Information Display	•	•							
	7" Multi Information Display			•	•	•	•	•	•	•
	Auto-levelling headlamps	•	•	•	•	•	•	•	•	•
	12V power accessory socket	•	•	•	•	•	•	•	•	•
	Smart entry and start system		•	•	•	•	•	•	•	•
	Manual air conditioning	•								
	Dual-zone automatic climate control air conditioning		•	•	•	•	•	•	•	•
	USB charging points (2 x rear, 1 x front)					•	•	•	•	•
	Auto-dimming rear view mirror							•	•	•

MECHANICAL SPECIFICATIONS		ASCENT		ASCENT SPORT		SX		SL		
		Ascent Petrol	Ascent Hybrid	Ascent Sport Petrol	Ascent Sport Hybrid	SX 4-cyl	SX V6	SL 4-cyl	SL V6	SL Hybrid
Storage	Lockable glove box	•	•	•	•	•	•	•	•	•
	Centre console with sliding lid (7.3L)	•	•	•	•	•	•	•	•	•
	Sunglass holder – front overhead console	•	•	•	•	•	•			
	Beverage holders x 8 (front centre console, front and rear doors, rear centre armrest)	•	•	•	•	•	•	•	•	•
Multimedia	7" colour touchscreen display	•	•							
	8" colour touchscreen display			•	•	•	•	•	•	•
	Digital Radio ⁵	•	•	•	•	•	•	•	•	•
	Single CD player, AUX input and USB input ⁶	•	•	•	•	•	•	•	•	•
	Bluetooth ⁷ connectivity	•	•	•	•	•	•	•	•	•
	Mobile Assistant with Siri ⁸ Eyes Free ⁶ and Google Now	•	•	•	•	•	•	•	•	•
	Voice recognition, Miracast, Toyota Link	•	•	•	•	•	•	•	•	•
	Satellite navigation with SUNA ^{TM,8} traffic channel			•	•	•	•	•	•	•
	Wireless phone charger ⁹					•	•	•	•	•
	Steering wheel audio controls	•	•	•	•	•	•	•	•	•
Safety	Toyota Safety Sense ¹⁰ (Lane Departure Alert, Pre-Collision Safety System with pedestrian detection, Automatic High Beam and All-Speed Active Cruise Control)	•	•	•	•	•	•	•	•	•
	Blind Spot Monitor with Rear Cross Traffic Alert							•	•	•
	Anti-lock Braking System with Electronic Brake-force Distribution and Brake Assist	•	•	•	•	•	•	•	•	•
	Vehicle Stability Control and Traction Control	•	•	•	•	•	•	•	•	•
	Hill-start Assist Control and Brake Hold	•	•	•	•	•	•	•	•	•
	Electronically Controlled Brake system		•		•					•
	Reversing camera with moving guidelines	•	•	•	•	•	•	•	•	•
	Front and rear clearance sensors			•	•	•	•	•	•	•
	7 SRS airbags – dual front, front side, full length curtain airbags and driver's knee airbag	•	•	•	•	•	•	•	•	•
	Maximum 5-Star 2017 ANCAP safety rating	•	•	•	•	•	•	•	•	•
	Child proof locks – rear	•	•	•	•	•	•	•	•	•
Security	Immobiliser with alarm	•	•	•	•	•	•	•	•	•
	Speed sensing auto door lock	•	•	•	•	•	•	•	•	•
	Remote central locking including boot release on remote	•	•	•	•	•	•	•	•	•

- Weights/mass/volumes/dimensions are approximate and subject to individual vehicle variances, and should be confirmed before fitting any accessories, towing or otherwise relying on this value.
- Power and torque test standards differ. Ensure comparisons use same test standard.
- Achieved in test conditions for comparison purposes only. Actual fuel consumption varies depending on driving conditions/style, vehicle condition, load and options/accessories fitted. Source: ADR81/02 combined cycle.
- Emissions vary depending on driving conditions/style, vehicle condition and options/accessories fitted.
- Coverage dependent on vehicle location.

- Compatibility and functionality varies depending on device.
- Bluetooth[®] is a registered trademark of Bluetooth SIG, Inc. Siri[®] is a trade mark of Apple, Inc. registered in the U.S. and other countries.
- Service varies based on vehicle location. See sunattraffic.com.au
- Only Qi-supported devices compatible. Refer to device manufacturer. May require additional purchase of accessory to support wireless charging.
- Driver assist feature. Only operates under certain conditions. Check your Owner's Manual for explanation of limitations. Please drive safely.

IMPORTANT NOTICE – PLEASE READ: Toyota Australia uses its best endeavours to ensure material is accurate at the time of publishing. All information must be confirmed with your Toyota Dealer at the time of ordering, as specifications, applicability and availability may change over time. Colours depicted are a guide only and may vary from actual colours due to the printing/display process. Toyota Australia reserves the right to change and/or discontinue, without notice, models, prices, colours, materials, equipment, specifications. To the extent permitted by law, Toyota Australia will not be liable for any damage or loss incurred from relying on the information and images contained in this material. Distributed nationally (other than in Western Australia) by Toyota Motor Corporation Australia Limited ABN 64 009 686 097. Material distributed in Western Australia by or on behalf of Prestige Motors Pty Ltd (for vehicles) and by Eastpoint Pty Ltd (for parts/ accessories). Toyota Australia makes no warranties regarding (and will not be liable for) accuracy of materials distributed in Western Australia. PROOF HQ: T2019-011698. GTP1896. VERSION: MARCH 2019.